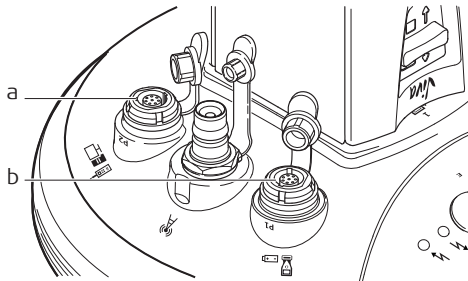
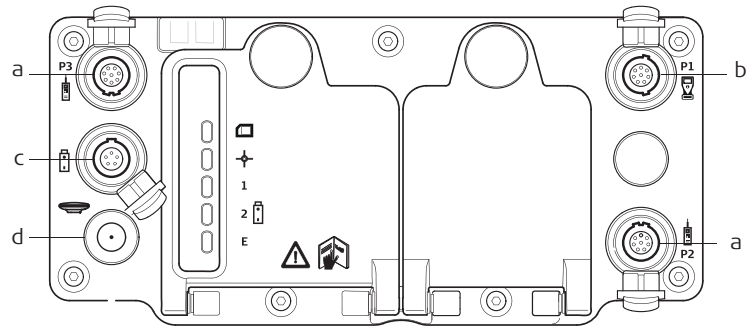


System Viva GNSS Cables Overview

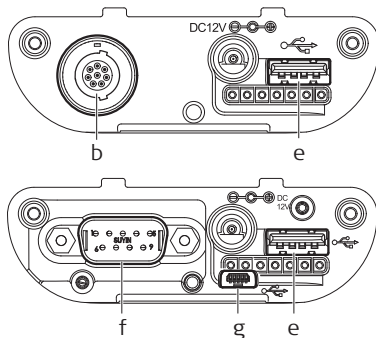
GS15 receiver



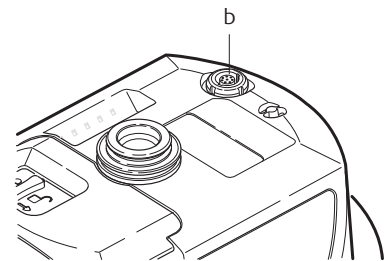
GS10 receiver



CS10/CS15 controller



GS08/GS12 SmartAntenna



- a) Lemo1, 8pin, 30°
- b) Lemo1, 8pin, 135°
- c) Lemo1, 5pin, 30°
- d) TNC connector
- e) USB type A
- f) RS232 serial, 9pin
- g) Mini USB AB

Power cables

Art. no	Name	Connector 1	Connector 2	Description
560 130	GEV97	Lemo1, 5pin, 30°	Lemo1, 5pin, 30°	Length 1.8 m Allows GS10 (power port) to be externally powered.
758 469	GEV219	Lemo1, 8pin, 135°	Lemo1, 5pin, 30°	Length 1.8 m 1. Allows CS10/CS15 (with Lemo CBC01 connector module) to be externally powered via the Lemo port. 2. Allows GS10/GS15 (port 1) to be externally powered.
767 900	GEV235	Wall adapter	3mm barrel connector	Length 1.5 m Allows CS10/CS15 (with either connector modules) to be externally powered via the power jack. AC/DC wall adapter type is country specific.
439 038	GEV71	Crocodile clips	Lemo1, 5pin, 30° (female)	Length 4.0 m Allows powering of any device from car battery.

Y - power cables

Art. no	Name	Connector 1	Connector 2	Connector 3	Description
733 298	GEV172	Lemo1, 5pin	Lemo1, 5pin, 30°	Lemo1, 5pin, 30°	Length 2.8 m Allows GS10 (power port) to be externally powered by 2 external batteries.
756 365	GEV215	Lemo1, 8pin, 135°	Lemo1, 8pin, 135°	Lemo1, 5pin, 30°	Length 2.0 m Allows connection between CS10/CS15 (with Lemo CBC01 connector module) and GS10/GS15 (port 1) while being powered from the GEB171.
748 418	GEV205	Lemo1, 8pin, 135°	Lemo1, 8pin, 135° (female)	Lemo1, 5pin	Length 1.8 m Allows connection between GS10/GS15 (port 1), external radio in GFU1200 housing and GEB171 with GS and radio being externally powered.

Radio programming cables

Art. no	Name	Connector 1	Connector 2	Connector 3	Description
767 803	GEV231	15pin (GS15 slot-in port) (female)	RS232 serial, 9pin	Lemo1, 5pin	Length 1.8 m Allows an SLR radio device to be externally powered and programmed by a PC.
733 297	GEV171	Lemo1, 8pin, 135° (female)	RS232 serial, 9pin	Lemo1, 5pin	Length 1.8 m Allows a radio within a GFU1200 device to be externally powered and programmed by a PC.

Radio cables

Art. no	Name	Connector 1	Connector 2	Connector 3	Description
767 897	GEV232	Lemo1, 8pin, 30°	Lemo1, 8pin, 30° (female)		Length 2.8 m Allows Sytem1200 GFU housings to be connected to a GS10 (port 2 and 3), or GS15 (port 2).
767 898	GEV233	Lemo1, 8pin, 30°	Lemo1, 8pin, 30° (female)		Length 0.8 m Allows Sytem1200 GFU housings to be connected to a GS10 (port 2 and 3), or GS15 (port 2).
639 968	GEV125	Lemo1, 8pin, 30°	15pin, RS232 serial		Length 1.8 m Allows a Sateline modem (not inside housing) to be connected to a GS10 (port 2 and 3), or GS15 (port 2).
762 026	GEV221	Lemo1, 8pin, 30°	Lemo1, 8pin, 30°	Crocodile clamp	Length 2.0m Connects Sateline 3ASd Epic Pro (10W) to GS10/GS15 receiver and 12 V Car battery.
636 805	GEV114	Lemo1, 8pin, 30°	Lemo2, 8pin, 30°		Length 1.8m Data cable to connect Sateline 3ASd Epic Pro (35W) high power radio to GS GNSS receiver.

Serial data transfer cables

Art. no	Name	Connector 1	Connector 2	Description
733 280	GEV160	Lemo1, 8pin, 30°	RS232 serial, 9pin	Length 2.8 m Allows serial connection between GS10 (port 2 and 3), or GS15 (port 2) to PC to stream NMEA or RTK data.
733 282	GEV162	Lemo1, 8pin, 135°	RS232 serial, 9pin	Length 2.8 m 1. Allows serial connection between GS10/GS15 (port 1) to PC to stream NMEA or RTK data. 2. Allows serial connection between CS10/CS15 (with Lemo CBC01 connector module) and hidden point device, ASCII input device, PC etc.
733 283	GEV163	Lemo1, 8pin, 135°	Lemo1, 8pin, 135°	Length 1.8 m Allows serial connection between CS10/CS15 (with Lemo CBC01 connector module) and GS10/GS15 port 1.

USB to serial converter cables

Art. no	Name	Connector 1	Connector 2	Description
734 755	GEV195	Lemo1, 8pin, 30°	USB type A	Length 2.0 m Allows GS10 (port 2 and 3) or GS15 (port 2) to be connected to a PC where a serial connection is required, but no 9pin RS232 port physically exists on the PC. This cable allows a serial connection through the USB port of the PC to the CS or GS hardware.
758 468	GEV218	Lemo1, 8pin, 135°	USB type A	Length 2.0 m Allows CS10/CS15 (with Lemo CBC01 connector module) and GS10/GS15 port 1 to be connected to a PC where a serial connection is required, but no 9pin RS232 port physically exists on the PC. This cable allows a serial connection through the USB port of the PC to the GS hardware.

USB data transfer cables

Art. no	Name	Connector 1	Connector 2	Description
767 899	GEV234	Lemo1, 8pin, 135°	USB type A	Length 1.65 m 1. Allows a CS10/CS15 (with 9pin serial CBC02 connector module) to connect to a GS08/GS12 or GS10/GS15 (port 1). This is the cable needed for a cable connection needed between CS and GS when the CS is using the CBC02 connector module. 2. Allows a USB connection between the USB port of a PC to a GS08/GS12 or GS10/GS15 (port 1). 3. Allows a USB connection between the USB port of a PC to a CS10/CS15 (with Lemo CBC01 connector module).
764 700	GEV223	USB type A	Mini USB type B	Length 1.8 m Allows USB data transfer between CS10/CS15 (both connector modules) and a PC.
772 807	GEV237	Lemo1, 8pin, 135°	Lemo1, 8pin, 135°	Length 1.65 m Allows a CS10/CS15 (with Lemo CBC01 connector module) to connect to a GS08/GS12 or GS10/GS15 (port 1). This is the cable needed for a cable connection between CS and GS when the CS is using the CBC01 connector module.

Antenna cables for connecting GNSS antennas or RTK antennas

Art. no	Name	Connector 1	Connector 2	Description
667 200	GEV141	TNC connector	TNC connector	Length 1.2 m
772 002	GEV238	TNC connector	SMB connector	Length 1.2 m
667 201	GEV142	TNC connector	TNC connector (male)	Length 1.6 m Extension cable.
636 959	GEV120	TNC connector	TNC connector	Length 2.8 m
632 372	GEV119	TNC connector	TNC connector	Length 10 m
632 390	GEV108	TNC connector	TNC connector	Length 30 m
664 813	GEV134	TNC connector	TNC connector	Length 50 m